



Vulcan[®] Gate



TRINITY
HIGHWAY

Ahead of the Curve™

Vulcan® Gate

The Vulcan® Gate is designed to facilitate access through runs of permanent and temporary longitudinal barrier. The system consists of two steel transitions, two hinges, and at least one section of Vulcan Barrier equipped with wheels and jacks. It is NCHRP Report 350 Test Level 2 and Test Level 3 compliant as a longitudinal reflecting barrier.



EASY ACCESS

Features

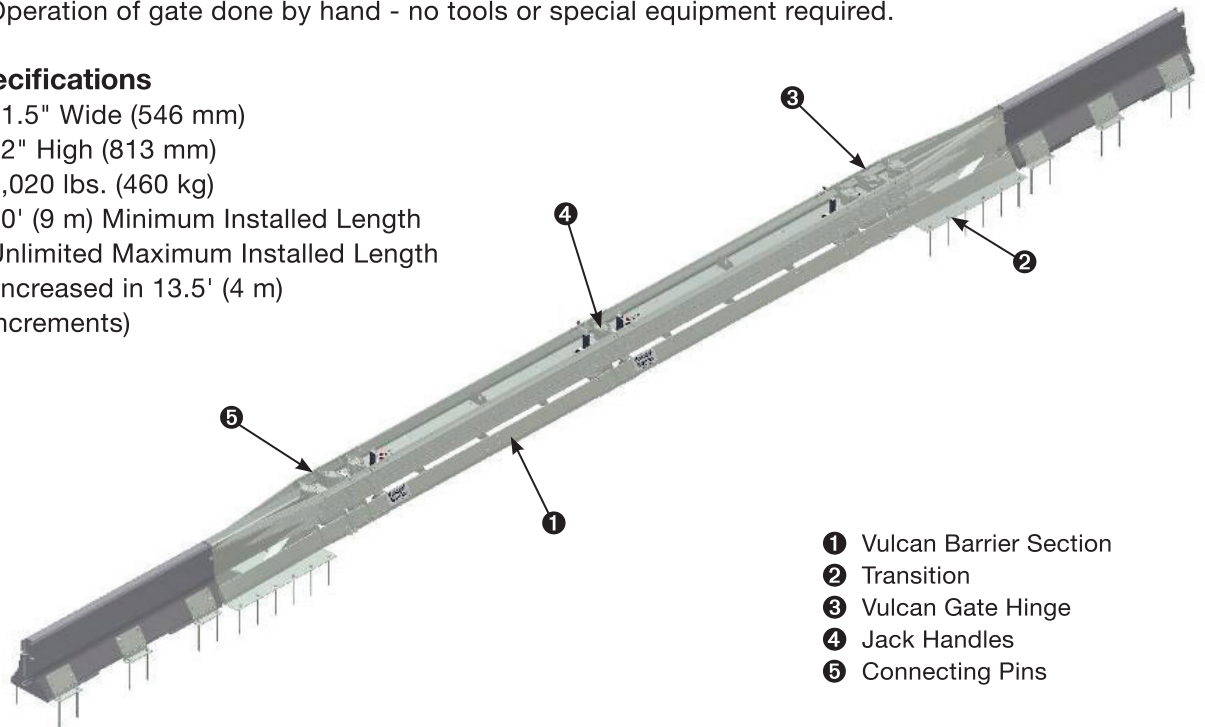
- Creates an opening in any median or roadside longitudinal barrier.
- No tools or special equipment required to operate system.
- Easily connected and disconnected via a single steel pin.
- Can be opened from either end, the middle, or completely removed.
- Equipped with wheels and jacks for easy transport.

Assembly and Maintenance

- Easily detachable.
- Operation of gate done by hand - no tools or special equipment required.

Specifications

- 21.5" Wide (546 mm)
- 32" High (813 mm)
- 1,020 lbs. (460 kg)
- 30' (9 m) Minimum Installed Length
- Unlimited Maximum Installed Length (Increased in 13.5' (4 m) Increments)



An original  ENERGY ABSORPTION SYSTEMS, INC. product.

Distributed by:

