

Truck Mounted Attenuators



ALPHA 70K TMA®



TRINITY
HIGHWAY
Ahead of the Curve®

ALPHA 70K TMA[®]

The ALPHA 70K TMA[®] is a truck mounted attenuator for use on stationary or moving shadow support vehicles. It is tested to NCHRP Report 350 Test Level 2. The unit is comprised of a crushable aluminum body with a Durashell[®] nose. The ALPHA 70K TMA[®] is designed to help absorb rear-end impacts at speeds up to 45 mph (70 km/h) when impacted within NCHRP Report 350 crash test standards.



Features

- Durashell[®] nose may regain its original shape after low-speed nuisance hits.*
- Tapered nose designed to help minimize corner damage and streamline appearance.
- Cab control hydraulics allow cartridge to be lowered by driver.
- Hydraulic system tilts to 90° position for storage.

Assembly and Maintenance

- Optional receiver hitch helps facilitate TMA mounting.
- Jacks help facilitate removal.

Specifications

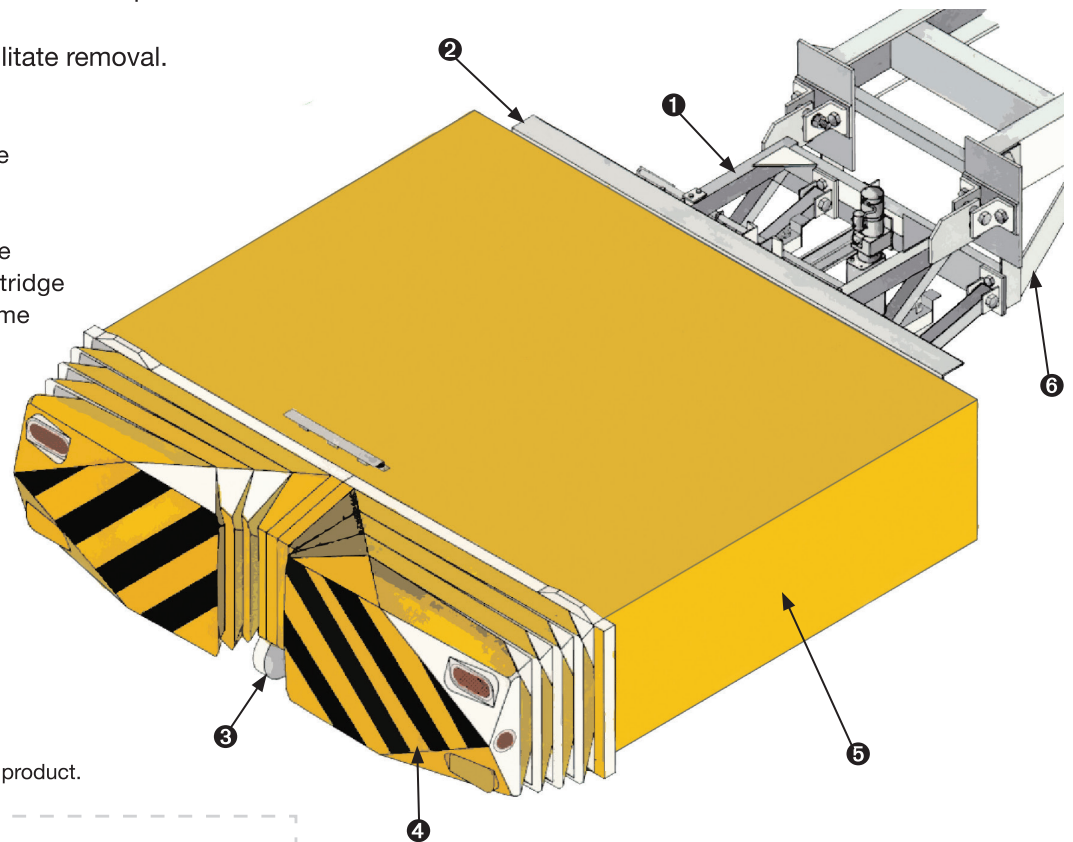
System:

- 990 lbs. – 1,200 lbs. (450 kg – 550 kg) Depending On Options
- 11,025 lbs. (5,000 kg) Minimum Support Vehicle Weight

Cartridge only:

- 8.4' (254 cm) Long
- 7' 9" (236 m) Wide
- 22.5" (57 cm) High

- 1 Support Frame
- 2 Backup
- 3 Rear Jack
- 4 Durashell Nose
- 5 Aluminum Cartridge
- 6 Underride Frame



An original  ENERGY ABSORPTION SYSTEMS, INC. product.

Distributed by:



4-19

www.trinityhighway.com
1.888.323.6374

