



The Urban MULTI^{Evo} allows to count and classify pedestrians, cyclists and scooters in shared spaces, or to count pedestrians on a sidewalk and cyclists and scooters (optional) on adjacent bike path. Specifically designed for the urban environment, the counter is composed of sensors from different technologies: PYRO^{Evo} and ZELT^{Evo}, each with different practices. The algorithm then allows classification.

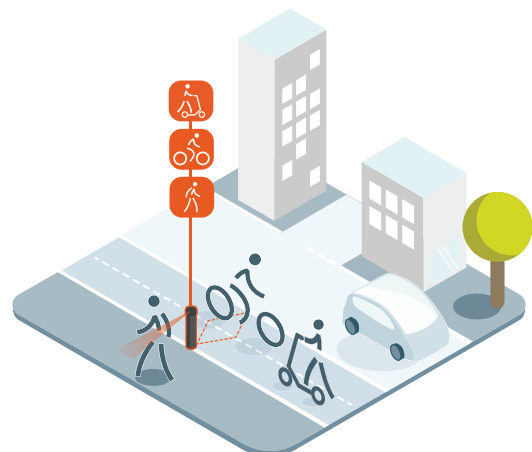
- + Designed for urban landscape
- + Battery powered
- + Robust, waterproof & discreet
- + Remote maintenance & updates
- + Automatic wireless transmission

Users monitored

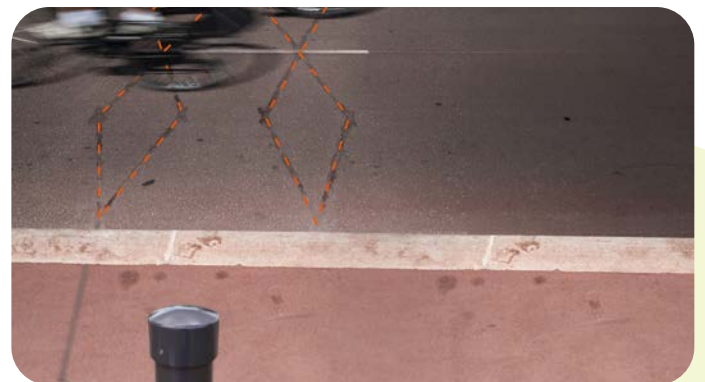
The Urban MULTI^{Evo} can count and classify pedestrians, cyclists and scooters* to obtain reliable traffic trends. It is also possible to know user direction and speed*.

Robust, battery-powered, vandal-proof, waterproof and eco-designed, the Urban MULTI^{Evo} is designed for outdoor use. Evolutive, it will be able to count future types of users (cargo bikes, motorized two-wheelers, etc.).

*Scooter classification, direction and speed are optional



The Urban MULTI^{Evo} integrates a PYRO^{Evo} and a ZELT^{Evo} in an urban post and loops under asphalt to count and classify pedestrians, cyclists and scooters (option) in a shared area. In an urban environment, it blends perfectly into the landscape.



The Urban MULTI^{Evo} is an easy-to-use system, which requires little maintenance (2 years of autonomy) and no need to go on site for maintenance and data collection (if remote transmission is activated).

All Eco-Counter® products are designed, developed and manufactured in France.

Urban MULTI^{Evo}

Physical characteristics

+ Urban post

Waterproofing	IP 66
Dimensions	+ h: 110 cm (43"), Ø outer: 12,5 cm (5"), Ø internal: 11,5 cm (4,5") + Base: Ø 25 cm (9,8") / Hood: Ø 14,5 cm (5,7")
Material	Aluminium & PVC
Color	Gray - RAL 7016 (other colors available in option)
Achorage dimensions	Ø 25 cm (9,8"), h: 33,5 cm (13")
Anchorage material	Steel

+ PYRO^{Evo} Sensor

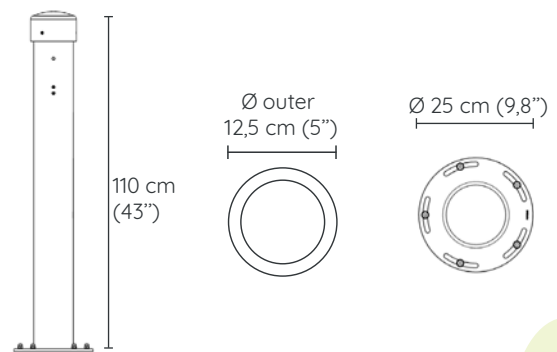
Outer dimensions	100 mm (3,9") x 127 mm (5") x 38 mm (1,5")
Lens dimension	Ø 10 mm (0,4") / Thickness: 0,7 mm (0,03")
Lens material	+ PYRO sensor short & medium range: polyethylene HD + PYRO-Zoom sensor : germanium
Minimal sensitivity	1 °C variation from the surrounding environment
Range	1 m, 4 m or 12 m (3', 15' or 33')

+ ZELT^{Evo} Sensor

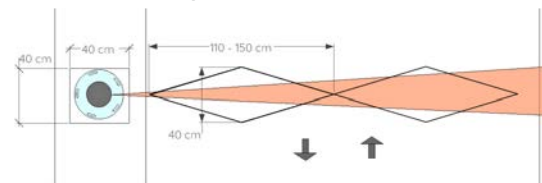
Connectors	+ 2 x 4 loop connectors + 1 battery pack connector + 1 dry contact connector
Installation	+ Trench depth: 40 to 50 mm (1,6 to 2") + Trench width: 20 mm (0,8")
Waterproofing	IP 68
Detection loop sizes	+ Loop lenght: 80 - 150 cm (31,5 - 59") + Loop width: 40 cm (15,7")

General features

Technology	+ PYRO ^{Evo} sensor: passive infrared pyroelectric + ZELT ^{Evo} sensor: electromagnetic loop
Autonomy	+ Up to 4 ZELT loops: 15 years + More than 4 ZELT loops: 1 year
Calibration	Autocalibration
Setting	Adjustable sensitivity using our Eco-Link software
Direction	Direction detection is an option
Covered width	Up to 6 meters (21')
Data registration	60 minutes or 15 minutes registration interval as an option
Memory	> 12 months
Available configurations	+ Standard: MULTI ^{Evo} Urban along the path + Optionnal: MULTI ^{Evo} Urban centered in the pathway, detection on both sides of the post
Operating temperature	-40°C to +50°C (-40°F to 122°F)



Installation example



To go further in your counting strategy:

PYRO-Box^{Evo} :

Mobile counter
All environments
Pedestrians



ZELT^{Evo} :

Permanent counter
All environments
Cyclists /
Scooters



Europe | Worldwide
4 rue Charles Bourseul | 22300 Lannion | France
+33 2 96 48 48 81

North America
604-3981 St. Laurent Blvd. | Montreal, QC H2W 1Y5 | Canada
Toll Free: 1-866-518-4404 | Direct: 1-514-849-9779

www.eco-counter.com