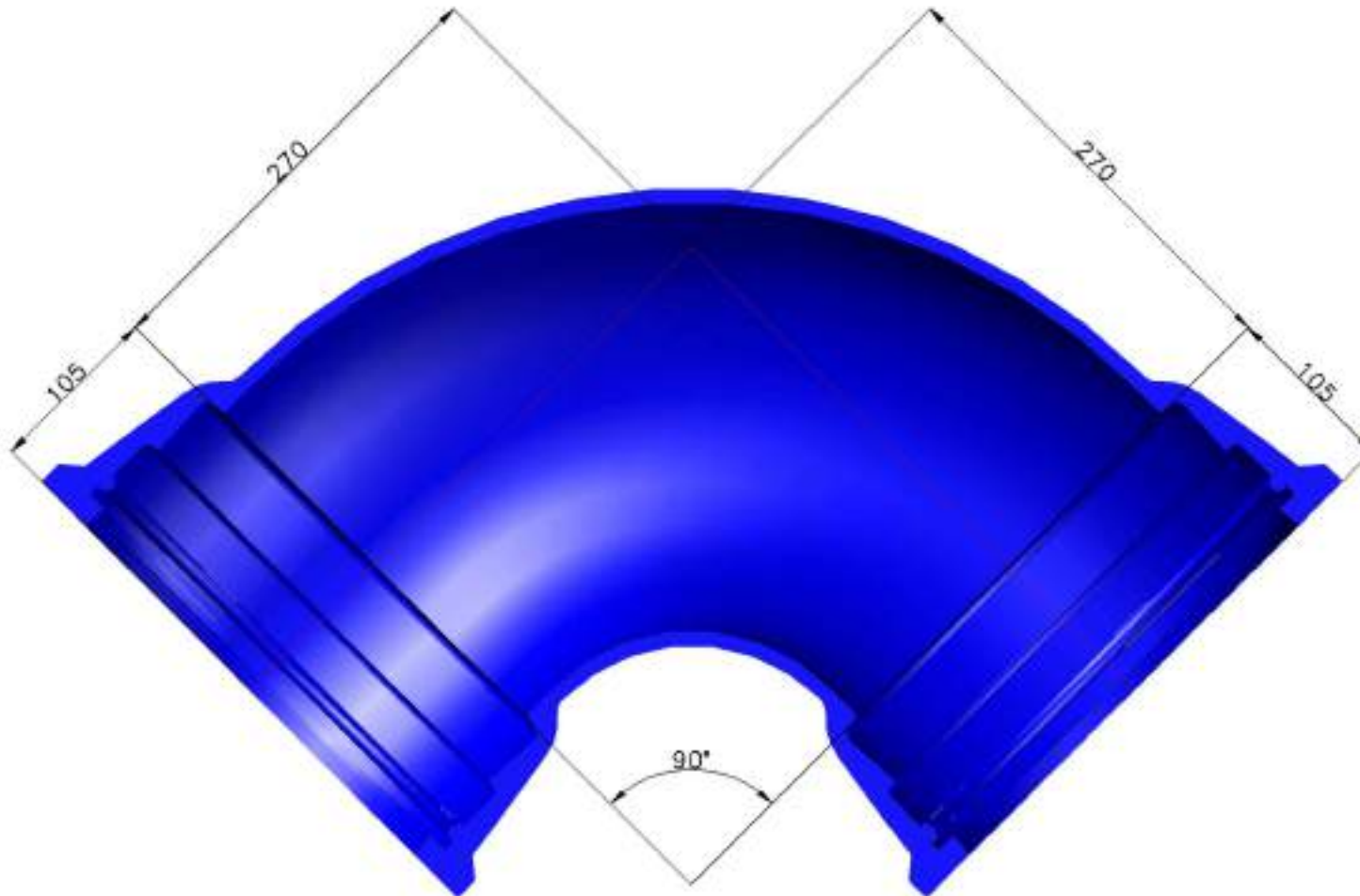


DWG. NO.:
XD.DS25090TF



Technical Specification:

1. Ductile iron pipe & fitting are manufactured in accordance with ISO 2531.
2. Flange drilled to EN1092-2 PN25
3. Thickness K12 for all ductile iron fittings.
4. Include DI GLAND, DI RING, DI HOOK BOLTS and EPDM rubber gaskets for restraint fittings.
5. Cement lining internally, Zinc spraying and bitumen coating, not less than 70um externally.

DUCTILE IRON PIPES FITTINGS ACCESSORIES AND THEIR JOINTS FOR WATER & SEWERAGE

Products Description:

Ductile Iron Fittings

Double Socket Bend
90 degree
with TF Restraint

DN250mm x 90°
PN25

DWG. NO.:
XD.DS25090TF

SUPPLIER:



SUPPLIER:REF. NO.: 9423

XUZHOU DELTA
FITTINGS RESERVES THE RIGHT
TO MAKE CHANGES IN
DRAWINGS WITHOUT PRIOR TO
NOTICE AS PART OF PRODUCTS
IMPROVEMENT.