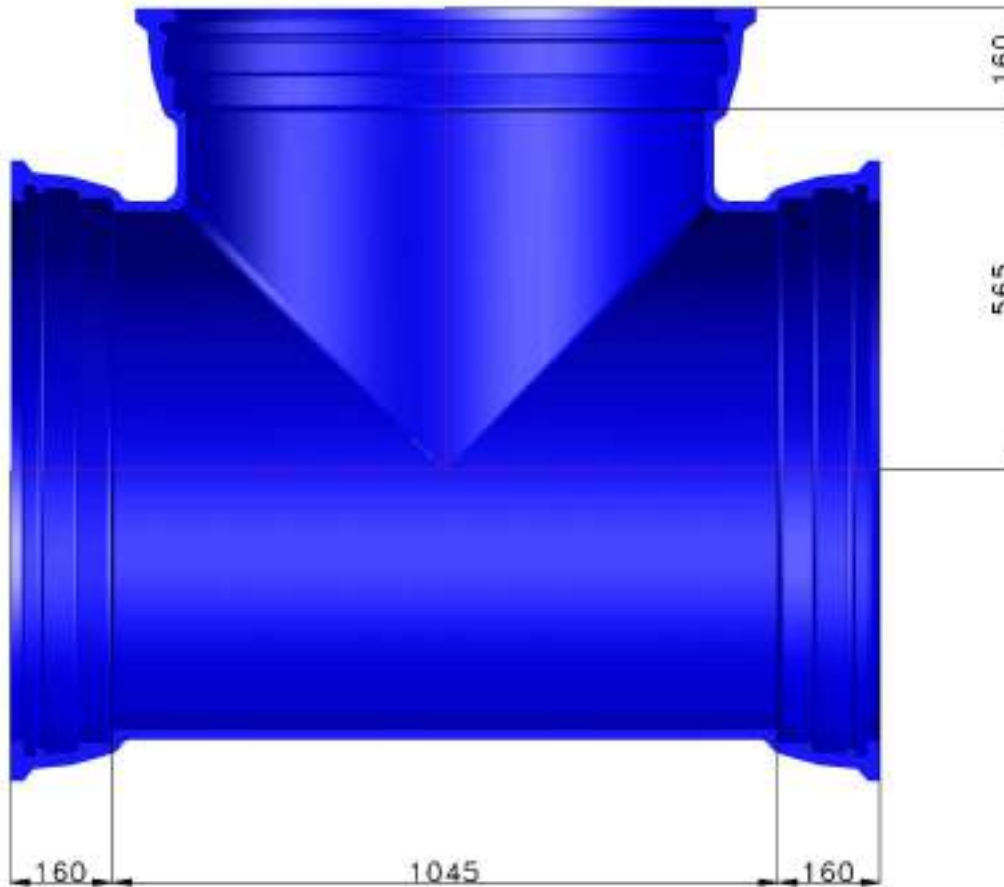


DWG. NO.:



**DUCTILE IRON  
PIPES  
FITTINGS  
ACCESSORIES  
AND THEIR JOINTS  
FOR WATER  
& SEWERAGE**

**Products Description:**

Ductile Iron  
Fittings

All Socket Tee  
with TF  
Restraint

DN800mmx800  
PN25

DWG. NO.:  
XD.ASTee800800TF

**SUPPLIER:**



**SUPPLIER:REF. NO.: 9423**

Technical Specification:

1. Ductile iron pipe & fitting are manufactured in accordance with ISO 2531;
2. Flange drilled to EN1092-2 PN25
3. Thickness K12 for all ductile iron fittings;
4. Include DI GLAND, DI RING, DI HOOK BOLTS and EPDM rubber gaskets for restraint fittings.
5. Cement lining internally; zinc spraying and bitumen coating not less than 70um externally.

XUZHOU DELTA  
FITTINGS RESERVES THE RIGHT  
TO MAKE CHANGES IN  
DRAWINGS WITHOUT PRIOR  
NOTICE AS PART OF PRODUCTS  
IMPROVEMENT.