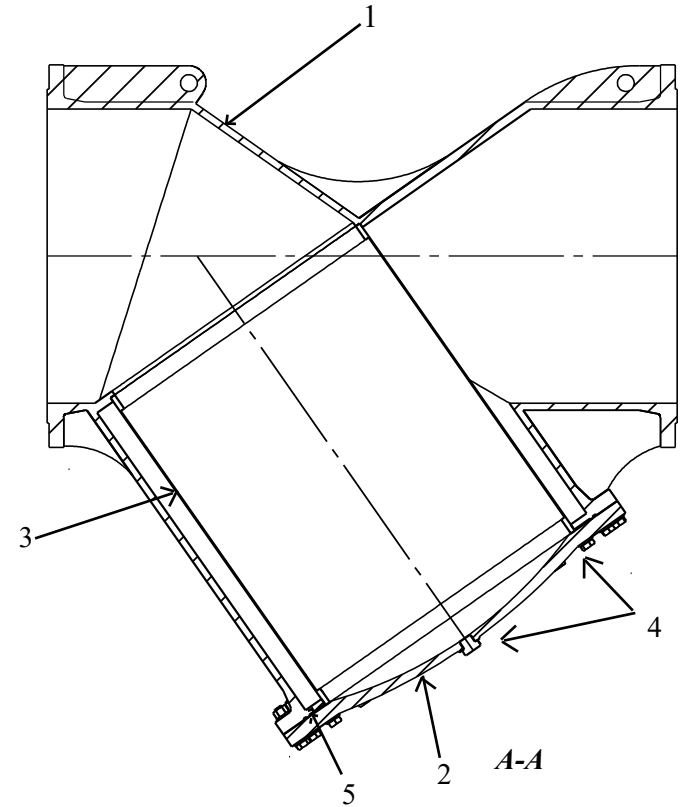
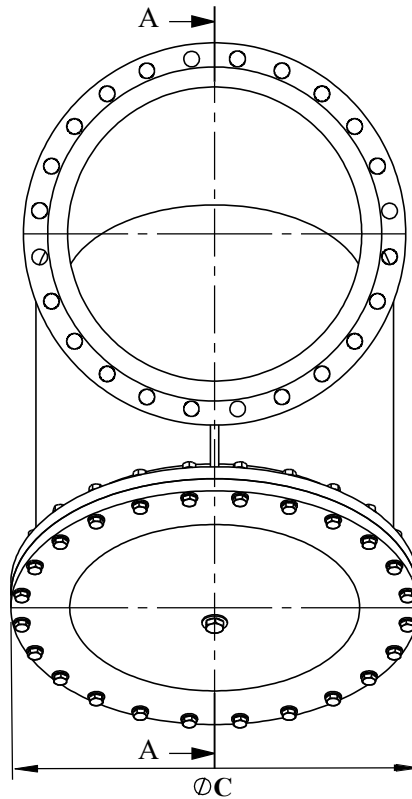
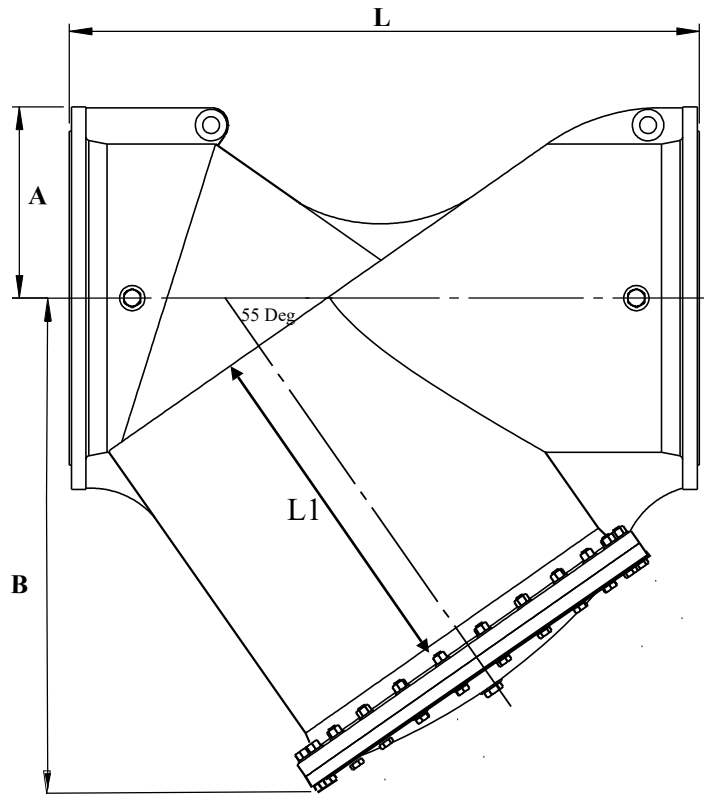


# Kaysafe : Fig CP58 Y-Type Strainer - Ductile Iron PN16



Size	Dim A	Dim B	Dia C	Basket -L1	L mm DIN F6
150mm	148mm	286mm	274mm	193mm	400mm
200mm	175mm	363mm	336mm	256mm	500mm
250mm	208mm	455mm	409mm	320mm	600mm
300mm	235mm	533mm	471mm	385mm	700mm
350mm	265mm	617mm	539mm	450mm	800mm
400mm	295mm	702mm	606mm	511mm	900mm
450mm	325mm	786mm	674mm	574mm	1000mm
500mm	363mm	892mm	759mm	639mm	1100mm
600mm	425mm	1068mm	900mm	715mm	1300mm
700mm	460mm	1167mm	979mm	893mm	1500mm
800mm	518mm	1330mm	1108mm	1020mm	1700mm

Item	Material	Grade
1	Ductile Iron	GGG-50 500/7
2	Ductile Iron	GGG-50 500/7
3	Stainless Steel	Grade 316L - 3mm Perf. Standard
4	Stainless Steel	Grade A4
5	EPDM	WRAS approved.
Coating	Fusion Bonded Epoxy	300 Microns WRAS approved.
Open Area	Minimum Design Open Area Ratio = 150%	
OPTIONS	SS304 Basket / A2 or Galv Bolts / 5-6-8-10mm perforation available	
	Flanges can be FF/RF & drilled PN10 /ANSI 125/150	