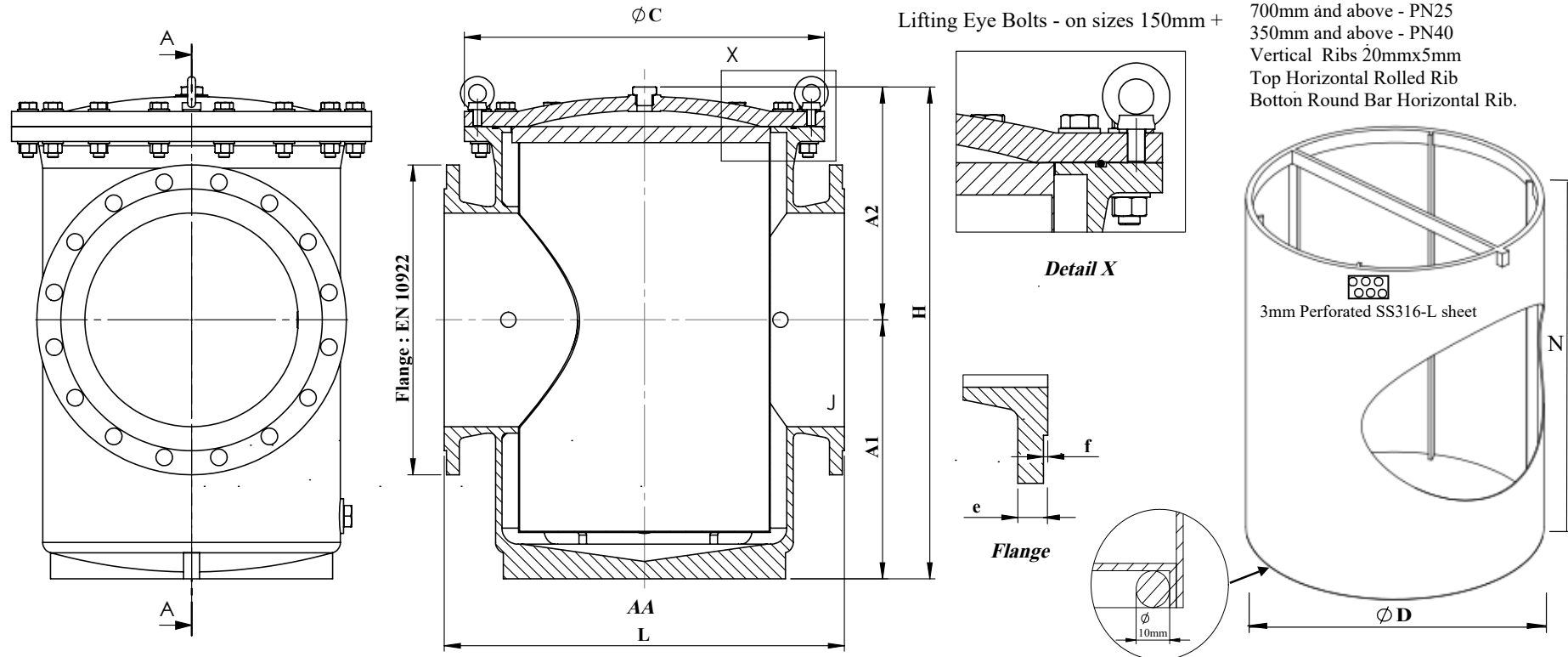





Kaysafe Engineering Ltd

Drawing Title		Kaysafe Fig 97 - D.I Basket Strainer 1000mm PN25		Item	Material
Customer / Project				Body	Ductile Iron GGG50
Drawing No Ref-Rev :		F97- DN1000-PN25-2020-R0	Issued By	Cover	Ductile Iron GGG50
Basket Material		SS316Lx 2mm Thick - Max DP 0.5 Bar	SW / PR	Basket	SS316 L
Basket Perforation		3mm	Drawing Date	O-Rings	EPDM
Open Area		150% minimum	28/01/2020	Bolts / Plugs	SS A4-316



	General Dimensions +/- 5mm				Flange - EN 1092					Cover	Filter	Plugs	
	L	H	A1	A2	OD	PCD	Holes	e	f	Dia C	Dia D	N	SS/A4
1000mm PN25 RF	2100mm	2330mm	1200mm	1130mm	1320mm	1210mm	28 x 57mm	60mm	5mm	1460mm	1084mm	1960mm	1" BSP

Note - Small sizes 80/100mm do not have Lifting Eye Bolts

Kaysafe reserve the right to change any of the above dimensions without prior notice